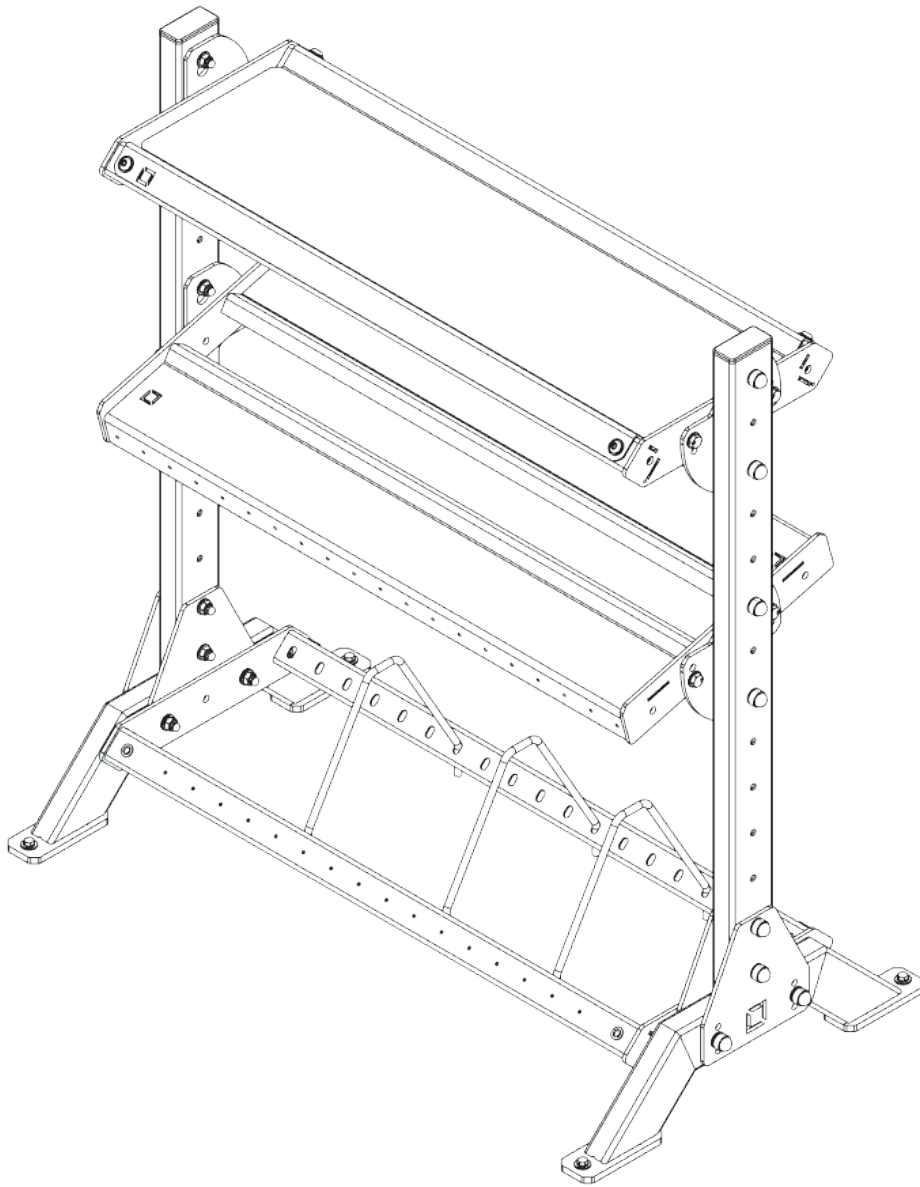


INSTALLATION INSTRUCTIONS



Note: Please read all the instructions carefully before installing this product.

BASECAMP STORAGE - 3 TIER



MARCH 2024 | VERSION 1.0 | © BLK BOX FITNESS LTD. 2024

WARNING

Serious or fatal injuries may occur from incorrectly assembled equipment or improper use of tools. Always ensure bolts are tightened correctly and all parts are level and plumb. To further reduce risk of injuries, please use our suggested tools and personal protective equipment (PPE). We suggest that a minimum of three people are involved in the assembly of this product. Each person should be equipped with safety glasses, steel toe cap boots and ear plugs.



This symbol is an indication of the recommended minimum torque each bolt should be tightened to. This value will be dependent on the bolt type. Please hand tighten all bolts until you see this symbol.

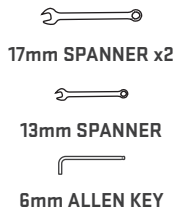


Please be aware of this symbol as an indication to check that the part is level and/or plumb.

TOOLS REQUIRED



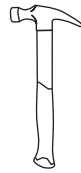
HAMMER DRILL



17mm SPANNER x2

13mm SPANNER

6mm ALLEN KEY



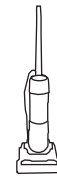
HAMMER



SPIRIT LEVEL



10mm MASONRY DRILL BIT



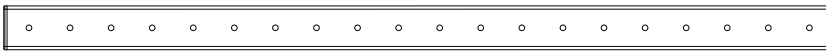
VACUUM

PARTS LIST

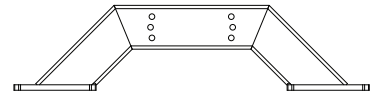
#	ITEM DESCRIPTION	QTY.	#	ITEM DESCRIPTION	QTY.
A	BASECAMP UPRIGHT	2	L	M10x65 HEX HEAD BOLT	12
B	BASECAMP BASE	2	M	M10 DOME NYLOC NUT	16
C	BUMPER SHELF	1	N	M10x80 HEX HEAD BOLT	4
D	DUMBBELL SHELF	1	O	M10 BOLT CAP COVER	16
E	FLAT SHELF	1	P	M10 SLEEVE ANCHOR BOLT	4
F	BASECAMP BRACE PLATE	4			
G	COMBINATION PLATE	4			
H	TOAST RACK DIVIDER	3			
I	M10x30 HEX HEAD BOLT	8			
J	M10 WASHER	60			
K	M10 NYLOC NUT	8			

PARTS

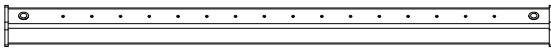
A



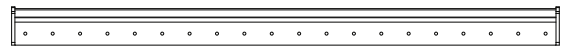
B



C



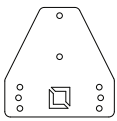
D



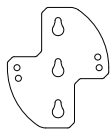
E



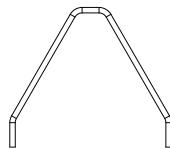
F



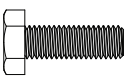
G



H



I



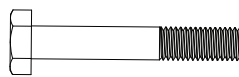
J



K



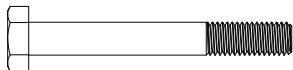
L



M



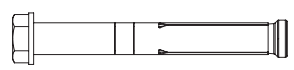
N



O

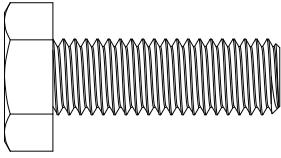


P

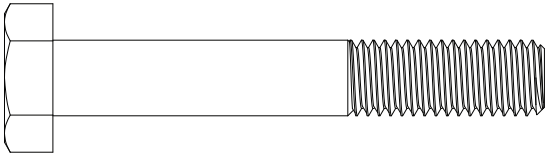


HARDWARE 1:1 SCALE

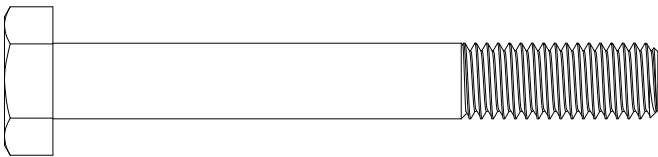
M10x30 HEX HEAD BOLT



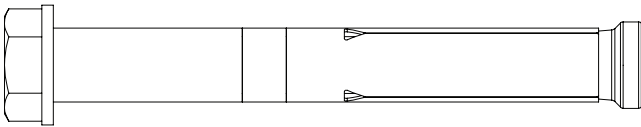
M10x65 HEX HEAD BOLT



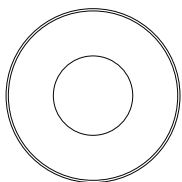
M10x80 HEX HEAD BOLT



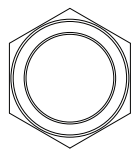
M10x80 SLEEVE ANCHOR BOLT



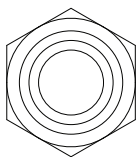
M10 WASHER



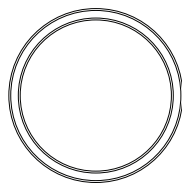
M10 DOME NYLOC NUT



M10 NYLOC NUT



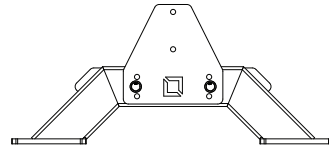
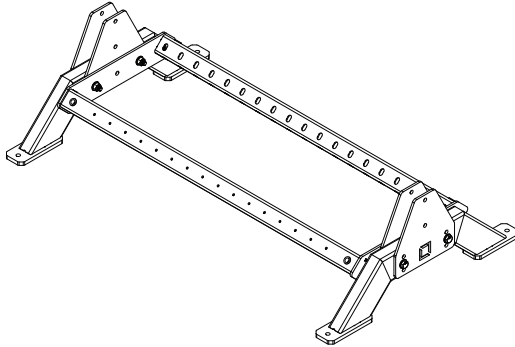
M10 BOLT CAP COVER



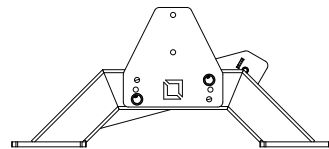
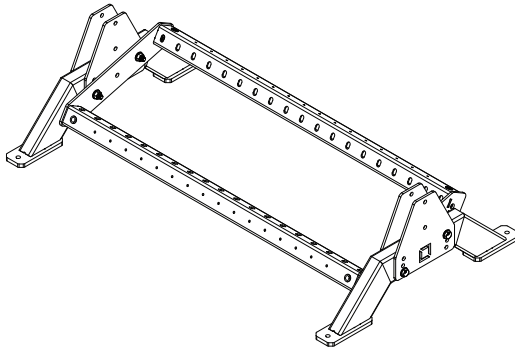
BASE SHELF

ORIENTATION

A FLAT

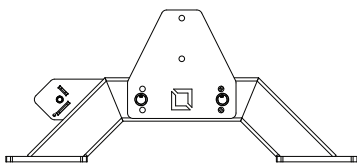


B ANGLED

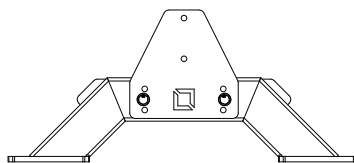


MOUNTING OPTIONS

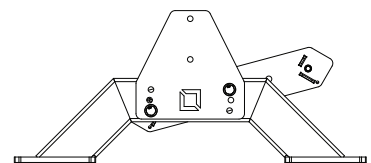
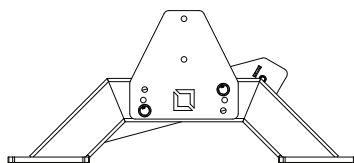
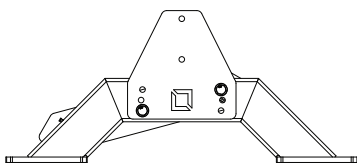
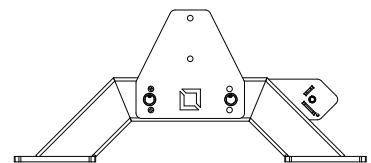
FORWARDS



MIDDLE



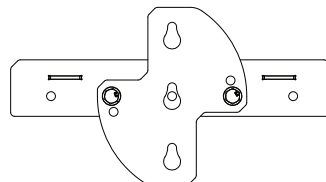
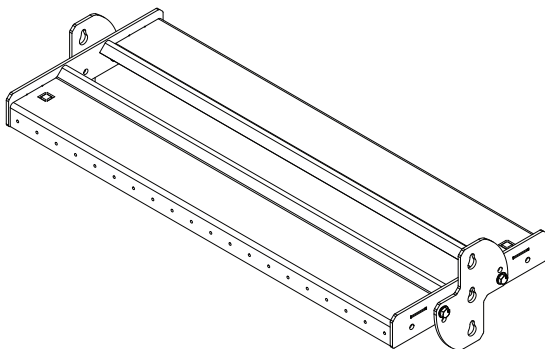
BACKWARDS



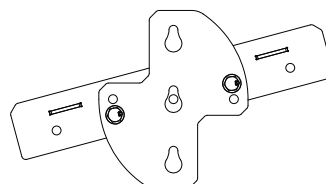
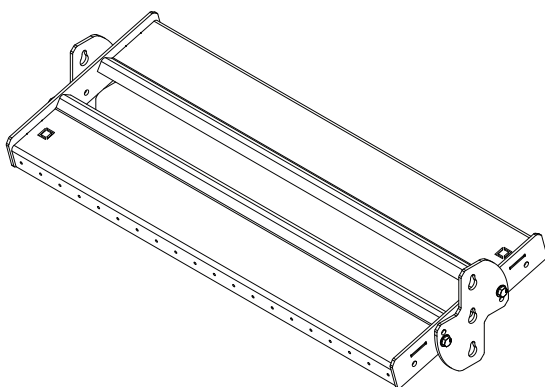
OTHER SHELVES

ORIENTATION

A FLAT

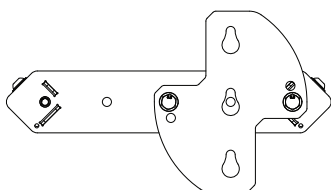


B ANGLED

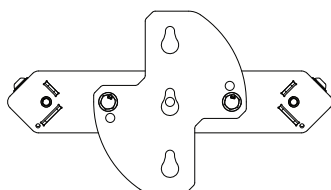


MOUNTING OPTIONS

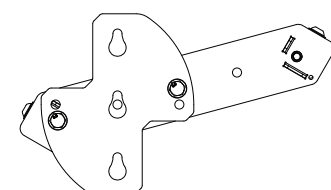
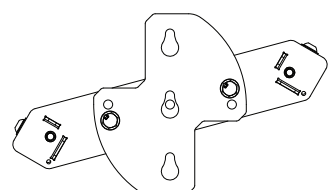
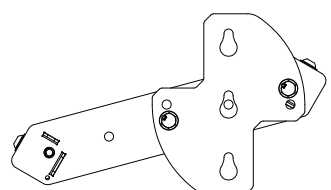
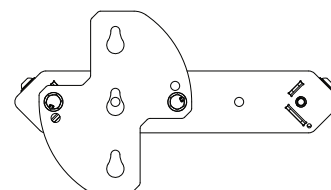
FORWARDS



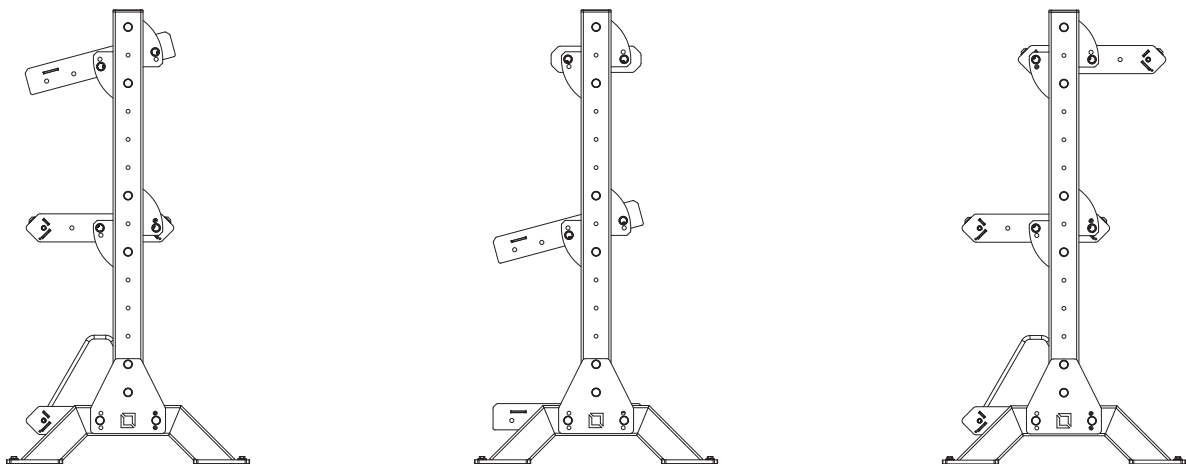
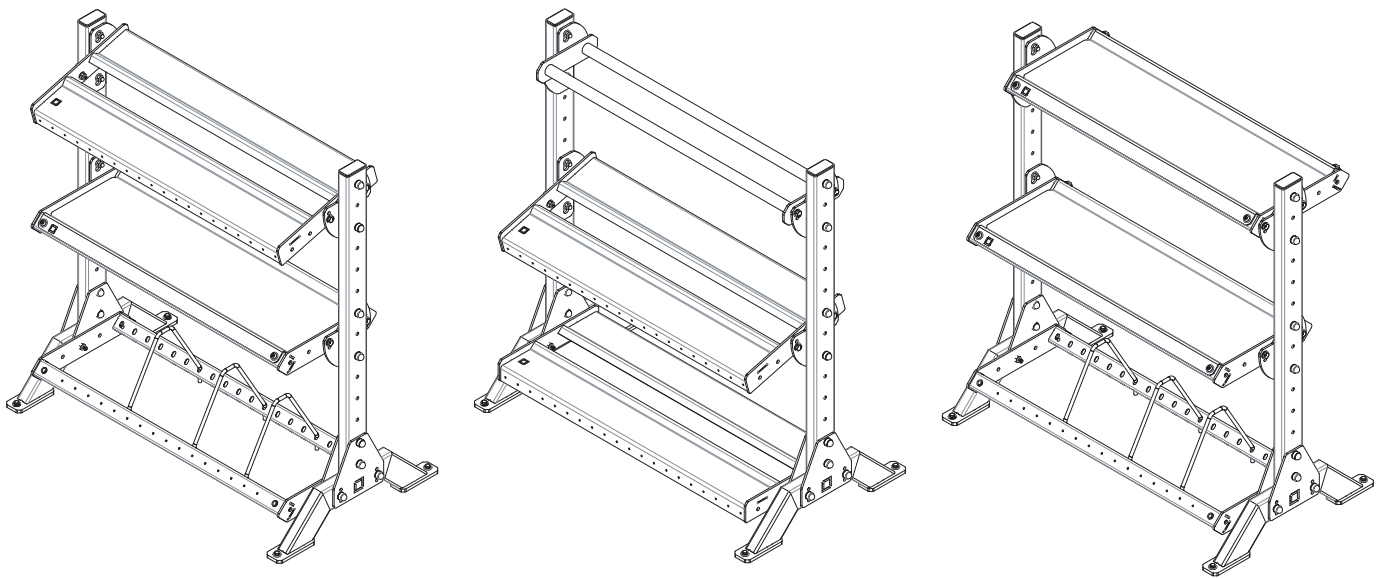
MIDDLE



BACKWARDS



POSSIBLE CONFIGURATIONS

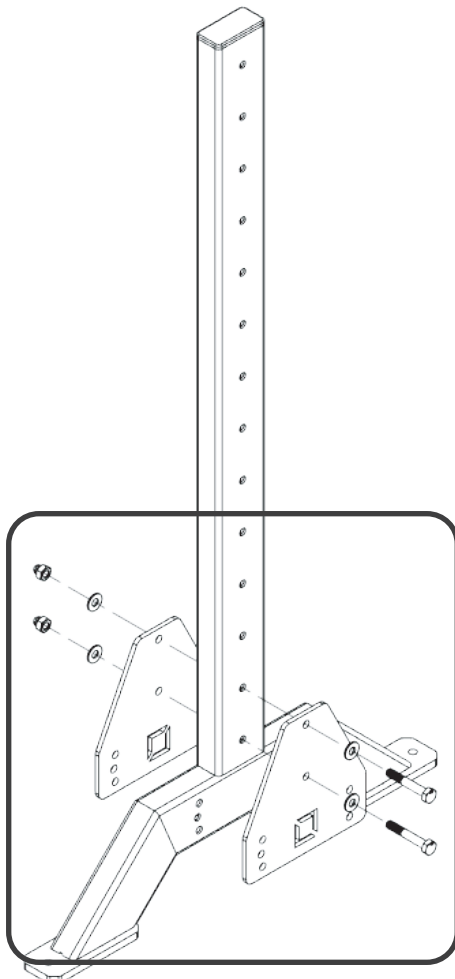
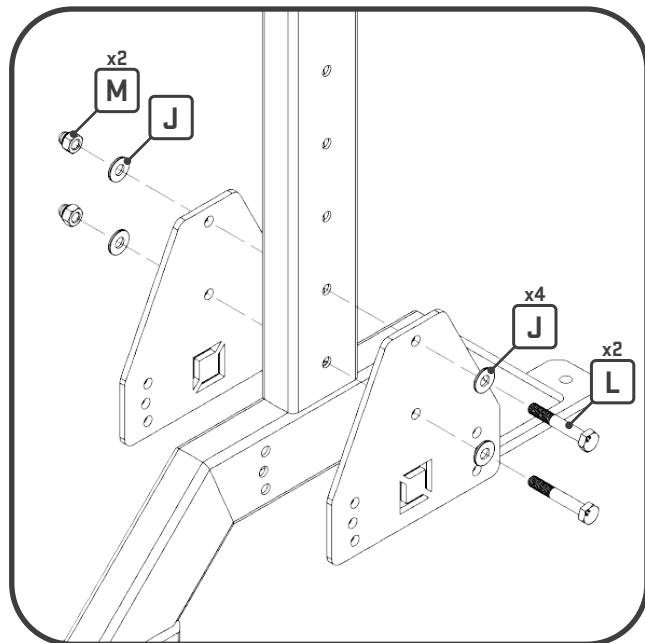


ASSEMBLY

1



17mm SPANNER x2



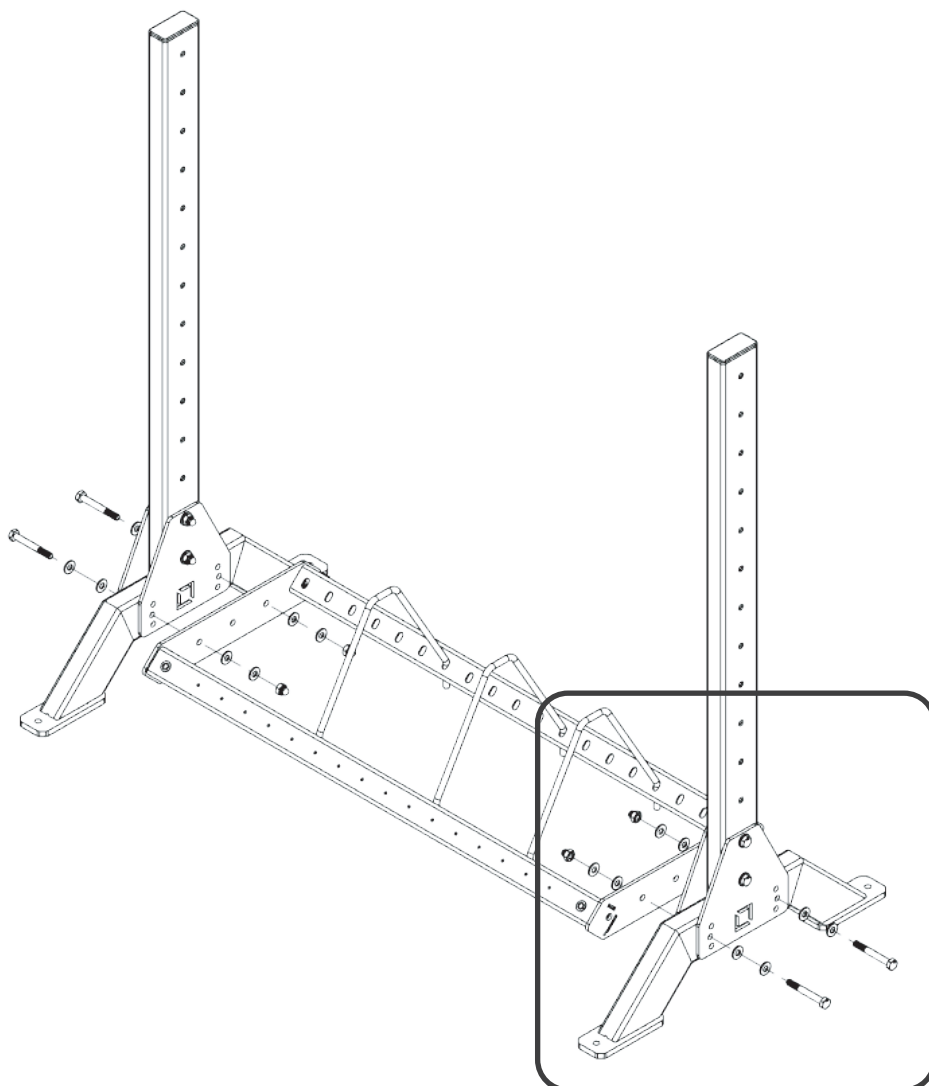
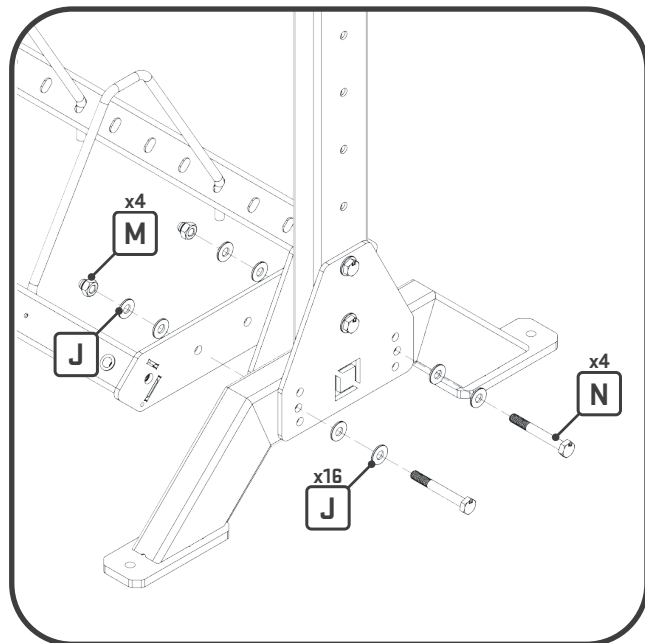
x2

ASSEMBLY

2



17mm SPANNER x2

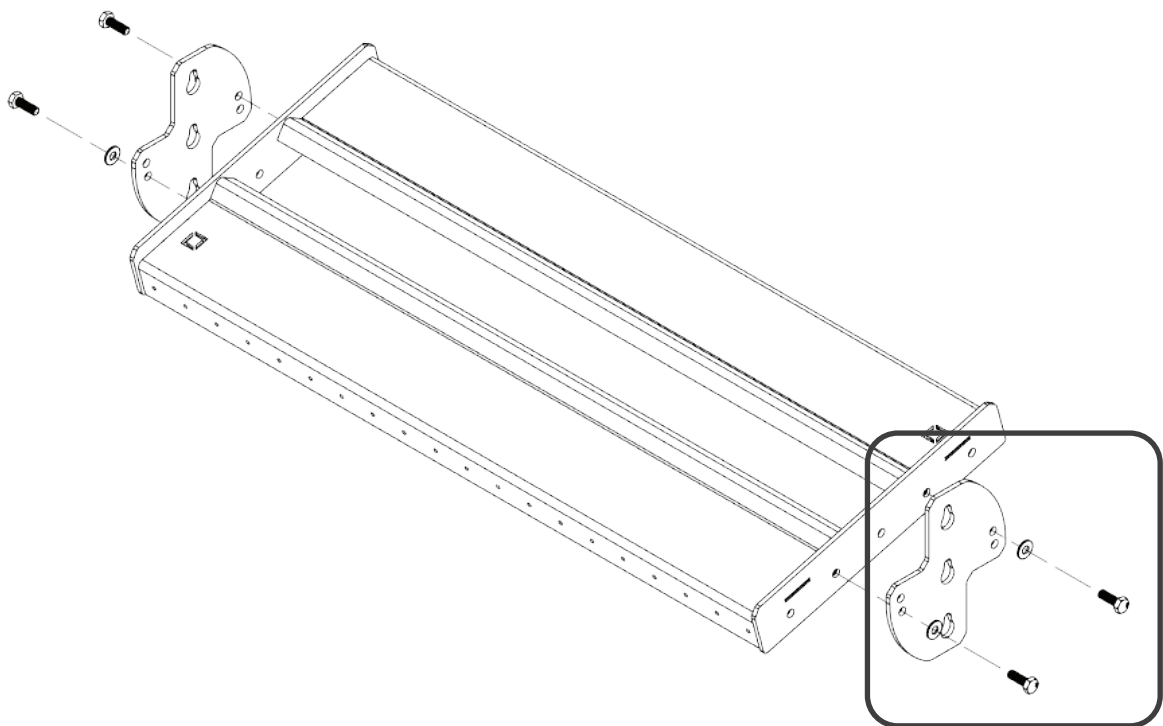
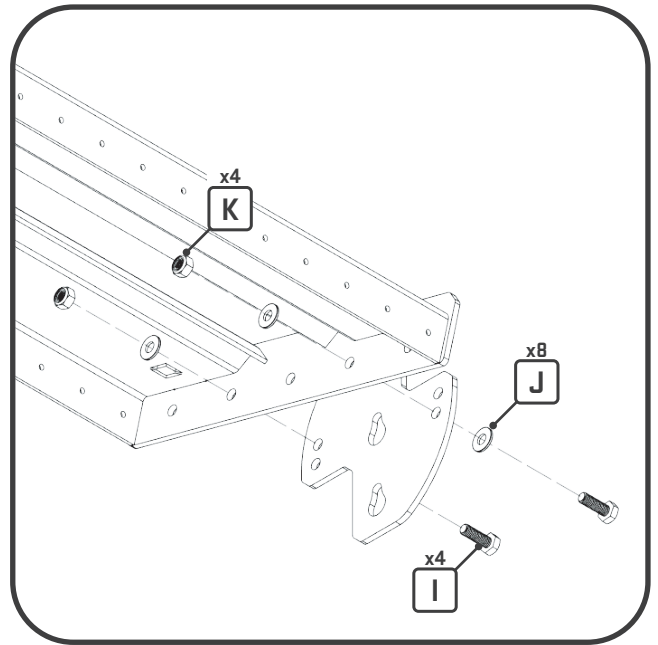


ASSEMBLY

3



17mm SPANNER x2

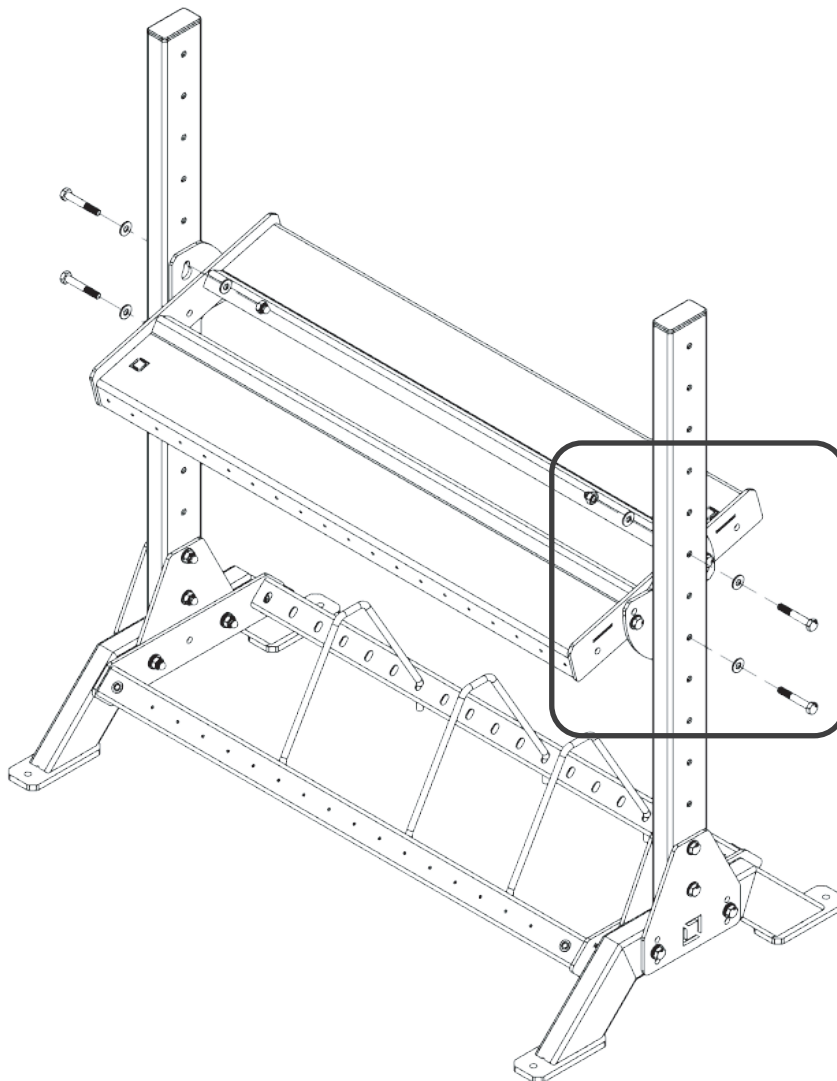
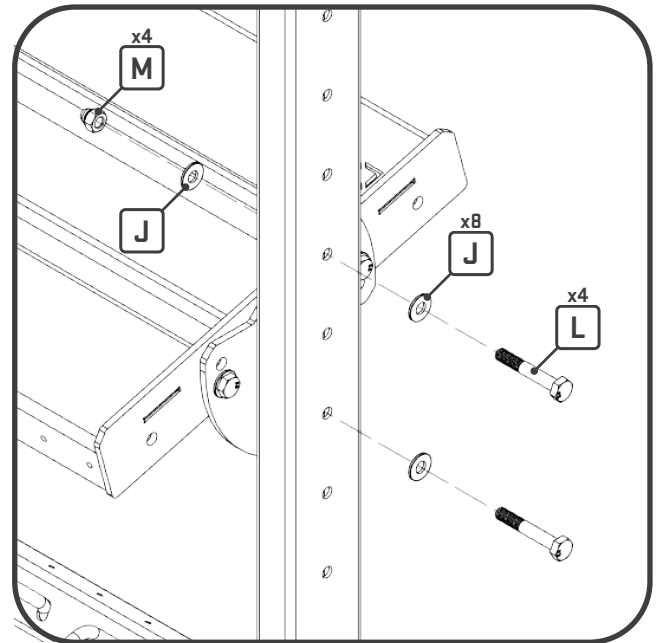


ASSEMBLY

4



17mm SPANNER x2

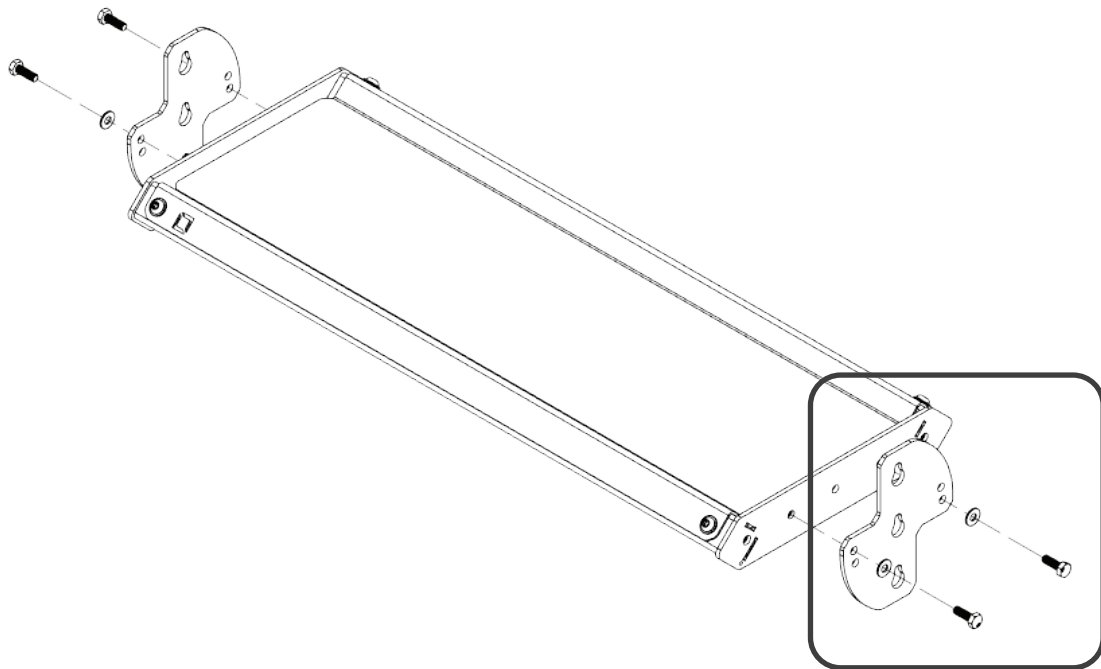
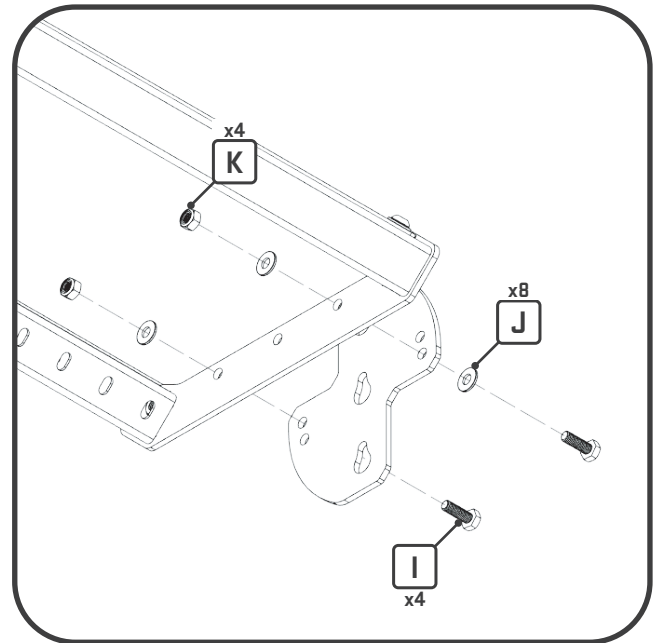


ASSEMBLY

5



17mm SPANNER x2

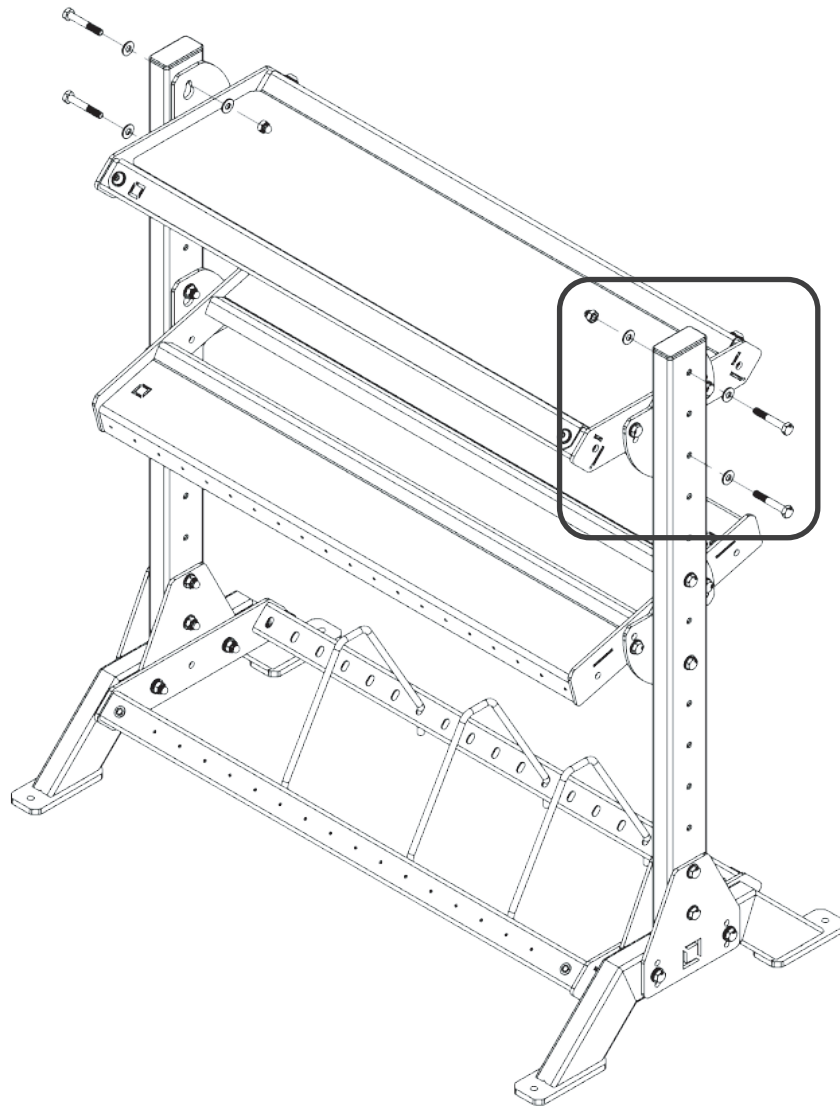
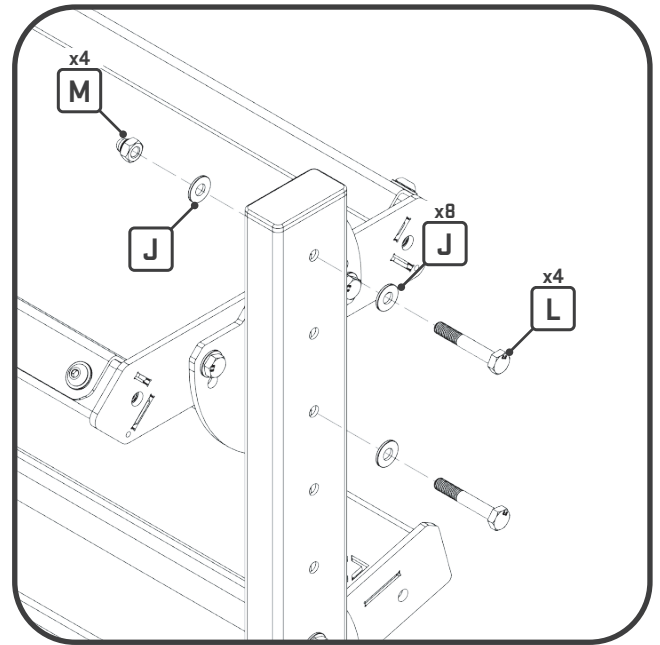


ASSEMBLY

6



17mm SPANNER x2

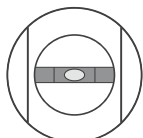


ASSEMBLY

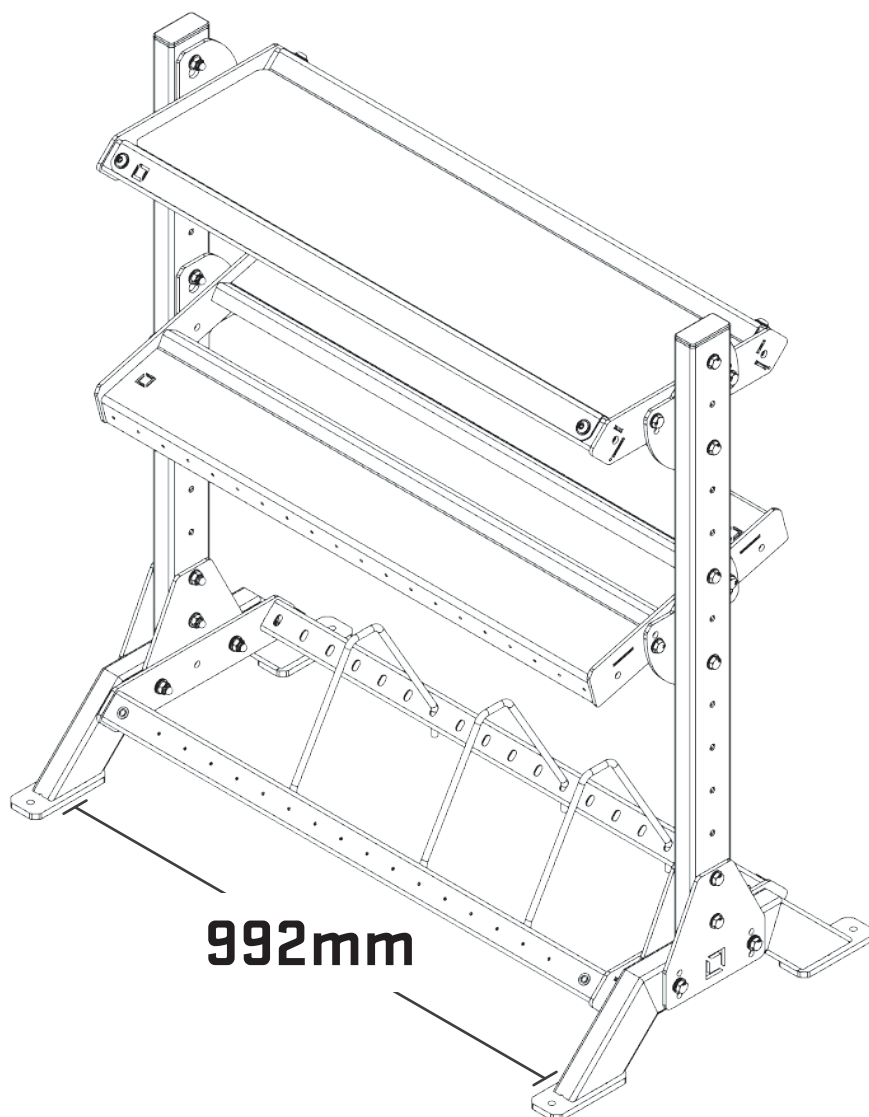
7

25
Nm

Position the product in the desired location and tighten all bolts to the specified torque.



Ensure all components are level and plumb.



ASSEMBLY

8



HAMMER DRILL



13mm SPANNER



10mm MASONRY DRILL BIT



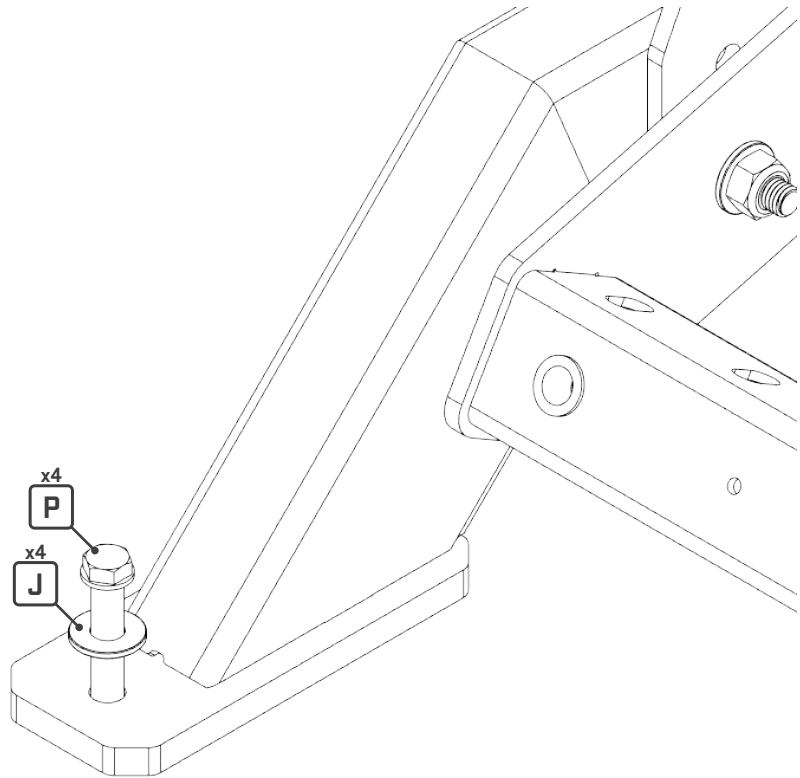
HAMMER



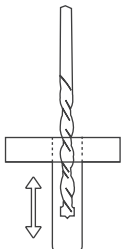
VACUUM

12
Nm

Tighten all bolts to the specified torque.

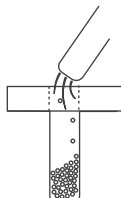


1



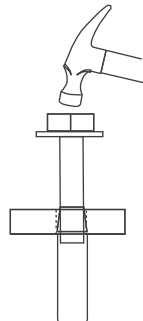
Drill 10mm hole through foot plate hole 90mm deep.

2



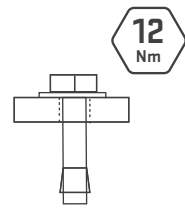
Vacuum out dust from drilled hole.

3



Hammer sleeve anchor into hole.

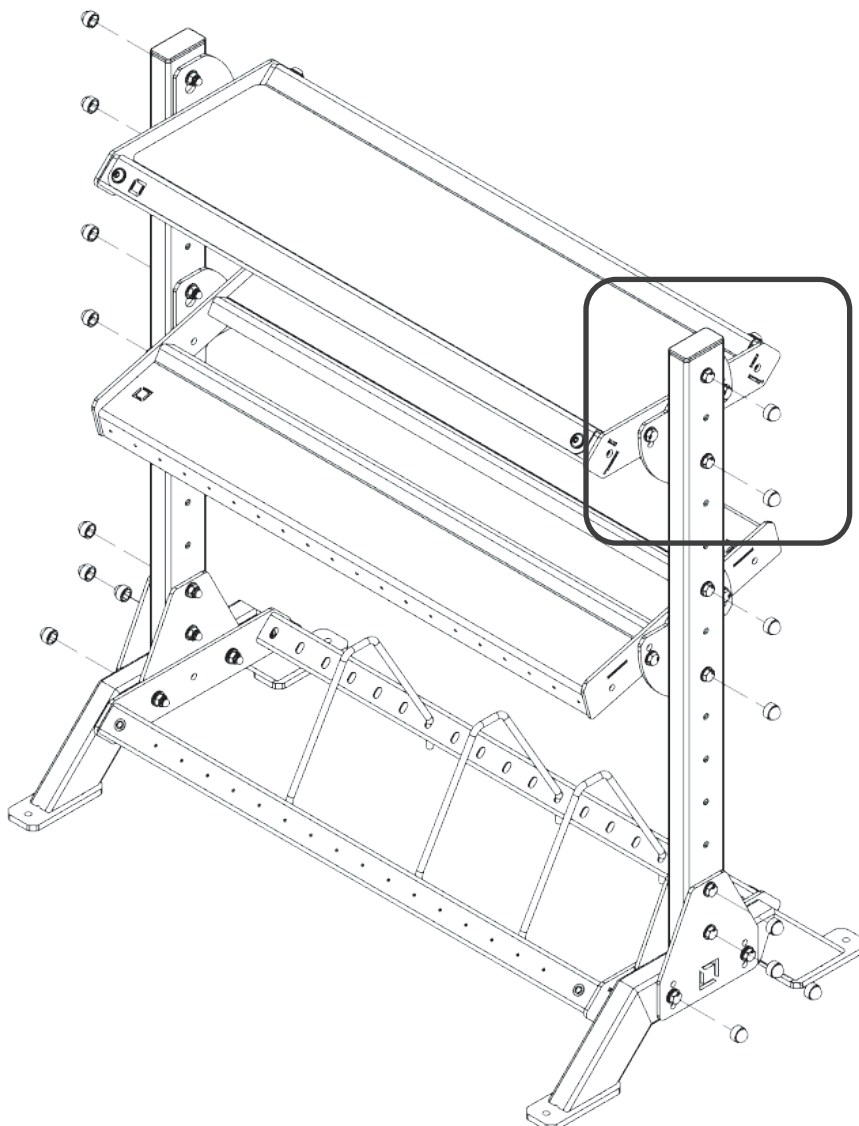
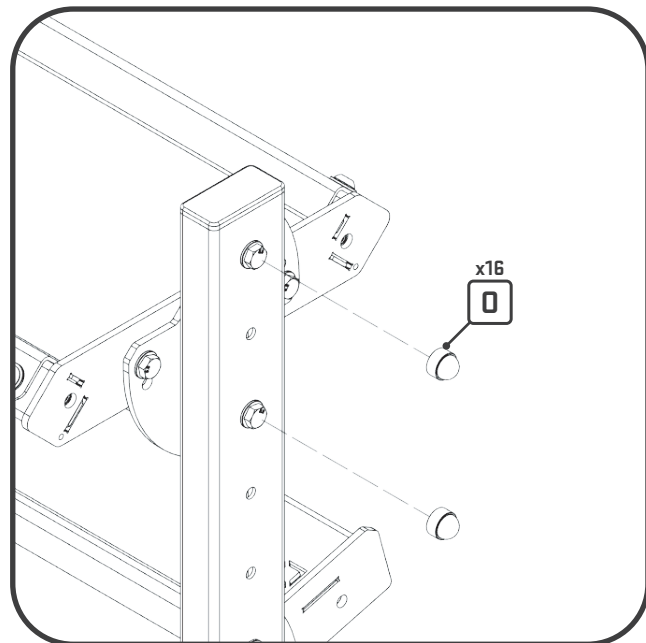
4



Tighten sleeve anchor to specified torque using 13mm spanner.

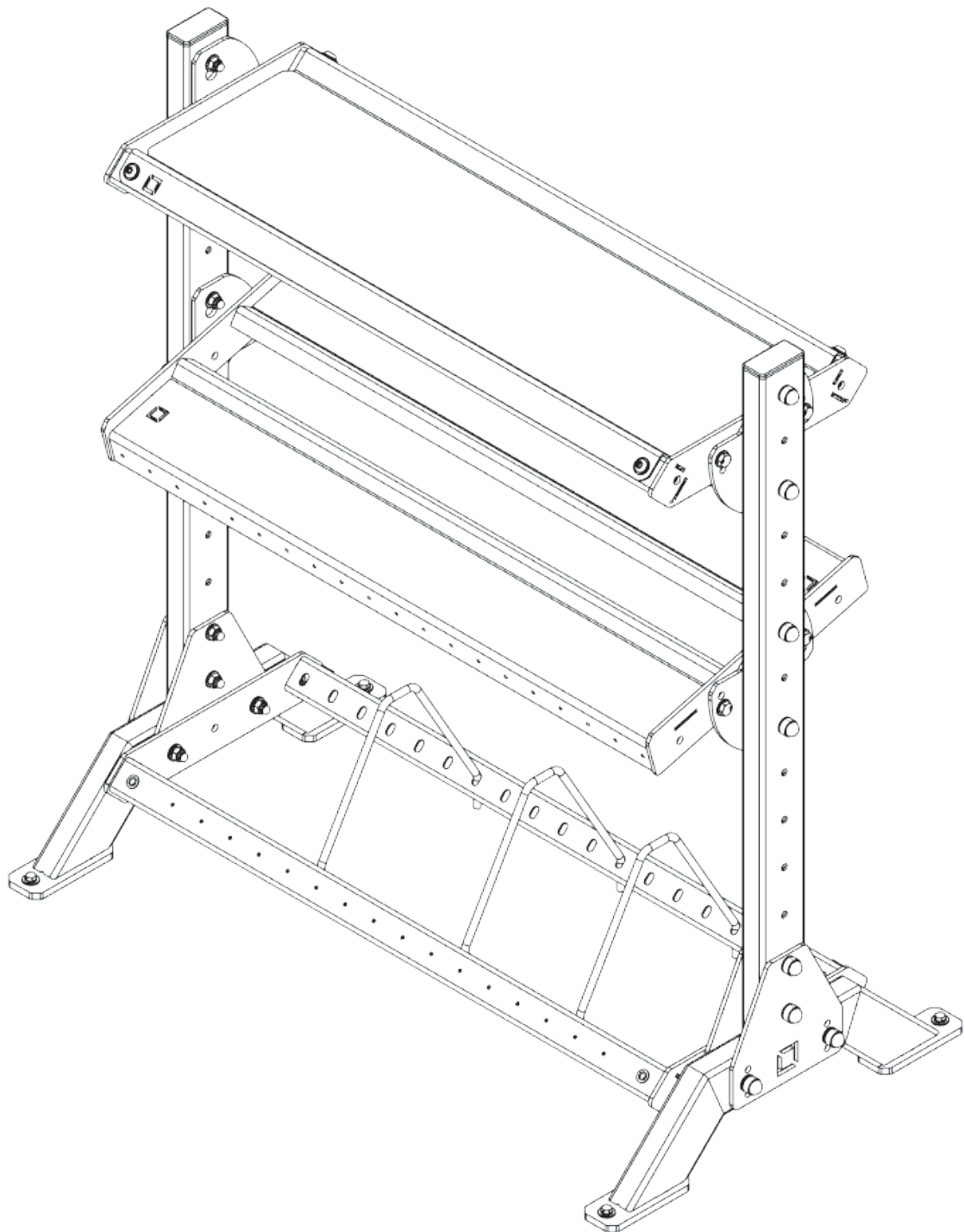
ASSEMBLY

9



ASSEMBLY

10



TERMS & CONDITIONS

WARRANTY TERMS

All BLK BOX branded equipment is covered by a limited 12-month warranty.

All metal work or manufactured items are covered by a lifetime structural guarantee.

Warranty terms do not extend to damage arising from improper use, normal wear and tear, improper maintenance, alteration, misuse, negligence, or otherwise not arising from defects of material or workmanship.

RETURNS

All goods must be in a new resalable condition the product must not be defective or used by the client and contain all original parts and accessories. This must include all original packaging and tags.

- We may decline a return or exchange during the process if the items returned have been damaged or any of the above stipulations have not been met.
- We will only refund a delivery charge when there has been a direct error in the delivery process. Delivery charges will not be refunded for late deliveries within a reasonable timeframe.
- Any items returned for refund or exchange without original documentation or without return form will be rejected.
- Please clearly state on the invoice/return form the reason for return or exchange and whether you require a refund or exchange.
- Products can be exchanged for a different size or colour of the same product, provided that the preferred size or colour is available in stock.
- This option is available within 30 days of the delivery and item must not be used in that period. If the preferred size or colour is not available, or you want a different product, please return the unwanted product, and place a new order.
- Returns will be processed within 5 business days of arrival at our warehouse.
- It sometimes takes up to 14 days to appear in your bank statement as bank processes vary by the institutions.
- Please note that refunds will be issued to the original method of payment.

For our full list of Terms & Conditions, please visit <https://www.blkboxfitness.com/pages/terms>.

CONTACT US

For any queries, advice or missing components please contact us on:



info@blkboxfitness.com



+44 (0) 28 9045 4123



www.blkboxfitness.com



BLK BOX



@blkboxfitness

THIS IS A BLANK PAGE